

SF100

IP Based Fingerprint Access Control & Time Attendance



The SF100 is an IP based fingerprint terminal works both in network and standalone modes. In network mode, it can connect with ZKAccess3.5 software for access control and time attendance management.

Wiegand output makes SF100 flexible to connect with ZK or any 3rd party controllers as a slave reader. Additionally wiegand input allows two units of SF100 to configure with each other and utilize Master & Slave solution, which requires user verification at both entrance and exit. Meanwhile, anti-passback function can be used to maximize the security.

Auxiliary input interface allows SF100 to connect with an external source, for instance, a smoke detector or emergency switch. Once the linkage function is enabled through the machine menu, the device would generate an alarm signal and open the door in case of emergency.

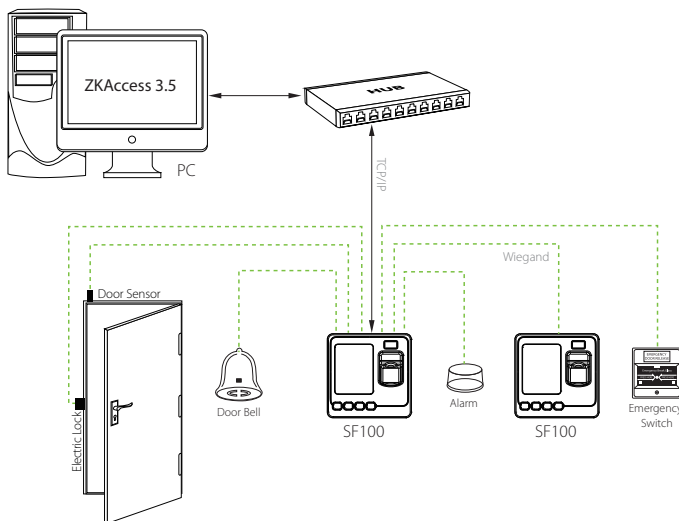
Feature

- 2.4-inch color display with graphical UI for easy operation
- Up to 24 user-defined schedules that can be activated on a daily bell alert (optional)
- Prompt audio acceptance or rejection signals for valid or invalid fingers
- Compact and lightweight, small size for 86mm (L) x 86mm (H) socket installation
- TCP/IP or RS485 communication for various networking environments
- Supports USB flash drive for offline data management
- Built-in auxiliary input with enhanced flexibility to link with wired detector or emergency switch
- Up to 15 multi-verification methods to enhance security level
- Standard access control features such as Time zone, Holiday, A&C Group, Unlock combination etc.
- Duress Alarm offers effective protection against duress by threats
- Tamper proof switch and multiple alarm outputs
- Multi-languages customizable

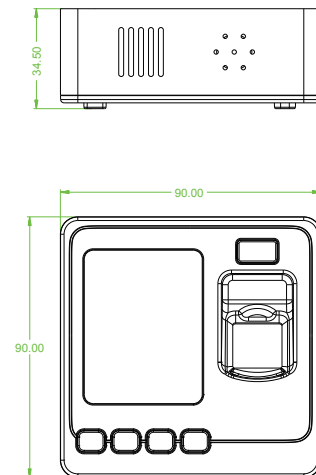
Specifications

Model	SF100
LCD	2.4-inch TFT (320 x 240) Color Screen
Fingerprint Sensor	ZK Optical Sensor (500DPI)
Algorithm Version	ZKFinger VX10.0
Communication	TCP/IP, RS485, USB Host
Fingerprint Capacity	1,500
Card Capacity (Optional)	5,000 (EM/Mifare)
Records Capacity	80,000
Access Control Interface	Electric lock, Door sensor, Alarm, Exit button, Doorbell
Wiegand Signal	Wiegand input & output
Aux. Input	1ea for linkage function
Power Supply	DC 12V/3A
Operating Temperature	0 ~ 45°C (32°~113°F)
Operating Humidity	20 ~ 80%
Dimension(W x L x H)	90 x 90 x 34.5mm

Configuration



Dimensions (mm)



ZKTeco Inc.

ZK Mansion, Wuhe Rd, Gangtou, Bantian, Buji Town,
Longgang District, Shenzhen China 518129
Tel: 86-755-8960 2345/46/47/48
E-mail: sales@zkteco.com
www.zkteco.com

Global Offices:

USA: +1 732-412-6007
EU: +34 916532891
Brazil: +55 31 2515-8326
Thailand: +66-027199154
Mexico: +52-55-52928418

South Africa: +27 12 259 1047
Egypt: +201110444134
Dubai: +971 4 6091 310
India: +91 8123536788
Indonesia: +62 21 2921 8949

Vietnam : +84-0169-5813007
Philippines: +63 9084118832
Russia: +8 915 178-46-81